



XLC

...the ultimate diaphragm process metering pump!

The XLC process pumps benefit from 30 years experience gained in designing and developing diaphragm metering pumps and are specifically designed for 24/7 demanding industrial duties.

Pumps come with SMART hydraulic system that overcomes all suction and discharge problems. (Internal oil balance is set by the diaphragm position and it will never become over-stretched by self controlling its maximum deformation).

The XLC positive return (full motion) double hydraulic diaphragm metering pumps fully comply with the API675 STD 2nd Edition and ATEX 94/9/CE, suitable for installation in Group 2 Category 2 areas (zone 1/21).

The XLC pumps are supplied as standard with double diaphragm with local visual rupture detection via a pressure gauge and are suitable for handling dangerous toxic, flammable and even explosive chemicals.

If required the pressure gauge can be replaced with a pressure switch and pressure transmitter which are suitable for both hazardous and non hazardous areas.

The XLC pumps are available with three wet end materials AISI316L, PVC and PVDF. In addition exotic materials are available on request (Alloy 20, Hastelloy C-276, titanium etc).

As standard these pumps are supplied with manual adjustment of stroke length with 0.1% adjustment achieved via a scaled knob.

Pumps are also available with automatic adjustment via electric actuators these being designed by OBL and are IP66 rated with 4-20, 0-20, 20-40 pulse and Profibus DP control signal. ATEX servers are also available either electrical or pneumatic.

Reliable, powerful, unstoppable.

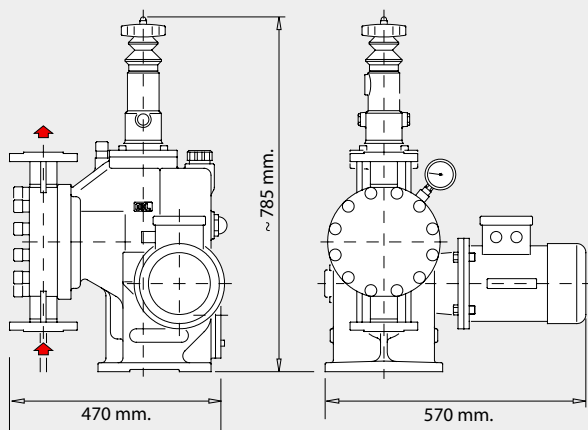
XLC, the metering evolution never ends!



MeteringPumps

TYPE	STROKES/1'	MAX FLOW RATE l/H	MAX PRESSURE - PVS SET PRESS. bar g			FLANGED CONNECTIONS	
			0,75 kW	1,5 kW	2,2 kW	UNI	ANSI
50 Hz							
AISI 316L							
XLC.A	40	350	14	20	20	DN 25	1" 300RF
XLC.A	60	550	10	20	20	DN 25	1" 300RF
XLC.A	82	750	8	17	20	DN 40	1 1/2" 300RF
XLC.A	100	920	6	12	17	DN 40	1 1/2" 150RF
XLC.A	123	1150	-	10	15	DN 40	1 1/2" 150RF
XLC.A	140	1300	-	8	12	DN 40	1 1/2" 150RF
PVC							
XLC.P	40	350	12	12	-	DN 25	1" 150RF
XLC.P	60	550	10	12	-	DN 25	1" 150RF
XLC.P	82	750	8	12	-	DN 40	2" 150RF
XLC.P	100	920	6	12	12	DN 40	2" 150RF
XLC.P	123	1150	-	10	12	DN 40	2" 150RF
XLC.P	140	1300	-	8	12	DN 40	2" 150RF
PVDF							
XLC.S	40	350	14	18,5	-	DN 25	1" 150RF
XLC.S	60	550	10	18,5	-	DN 25	1" 150RF
XLC.S	82	750	8	17	18,5	DN 40	2" 150RF
XLC.S	100	920	6	12	17	DN 40	2" 150RF
XLC.S	123	1150	-	10	15	DN 40	2" 150RF
XLC.S	140	1300	-	8	12	DN 40	2" 150RF
60 Hz							
AISI 316L							
XLC.A	48	420	13	20	20	DN 25	1" 300RF
XLC.A	72	660	10	17	20	DN 25	1" 300RF
XLC.A	96	900	6	12	17	DN 40	1 1/2" 300RF
XLC.A	121	1150	-	10	15	DN 40	1 1/2" 150RF
XLC.A	144	1300	-	8	12	DN 40	1 1/2" 150RF
PVC							
XLC.P	48	420	12	12	-	DN 25	1" 150RF
XLC.P	72	660	10	12	-	DN 25	1" 150RF
XLC.P	96	900	6	12	12	DN 40	2" 150RF
XLC.P	121	1150	-	10	12	DN 40	2" 150RF
XLC.P	144	1300	-	8	12	DN 40	2" 150RF
PVDF							
XLC.S	48	420	12	18,5	-	DN 25	1" 150RF
XLC.S	72	660	10	18,5	-	DN 25	1" 150RF
XLC.S	96	900	6	12	17	DN 40	2" 150RF
XLC.S	121	1150	-	10	15	DN 40	2" 150RF
XLC.S	144	1300	-	8	12	DN 40	2" 150RF

MAX OVERALL DIMENSIONS



MATERIALS OF CONSTRUCTIONS

PARTS	XLC - A	XLC - P	XLC - S
LIQUID END	AISI 316L	PVC	PVDF
DIAPHRAGM	PTFE	PTFE	PTFE
VALVE SEAT	AISI 316L	PVC	PVDF
VALVE GUIDE	AISI 316L	PP	PVDF
VALVE	AISI 316L	PIREX	PIREX
VALVE HOUSING	AISI 316L	PVC	PVDF
VALVE SEAL	FPM	FPM	FPM
FLANGE	AISI 316L	PVC	PVDF

Technical data are subject to modifications without prior notice.

OBL s.r.l.

20090 Segrate - MILANO

Via Kennedy, 12

Tel. +39-02.269191

Fax +39-02.2133893

✉ info@obl.it

www.obl.it



MeteringPumps